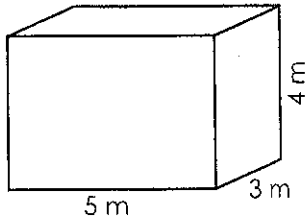


Name: _____

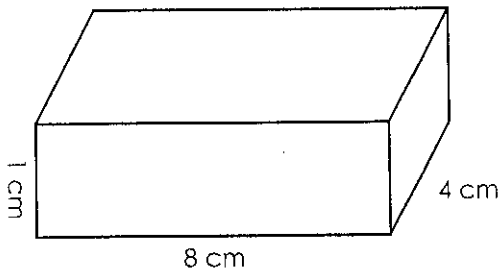
Surface Area

Find the surface area of the following figures.

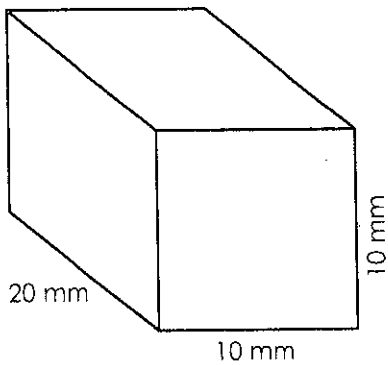
Work Space



surface area = _____



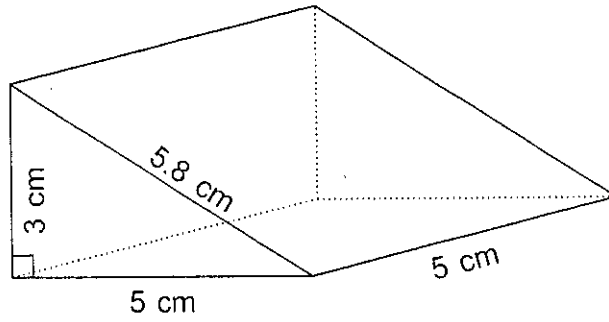
surface area = _____



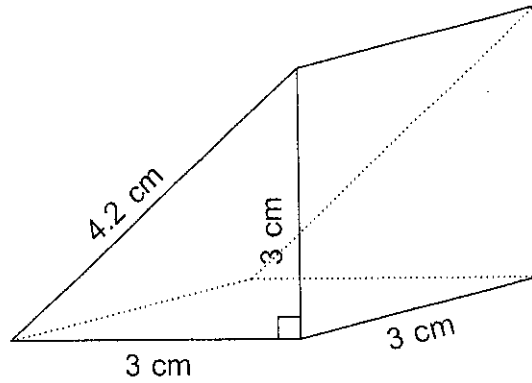
surface area = _____

Find the surface area.

1.



2.



3.

